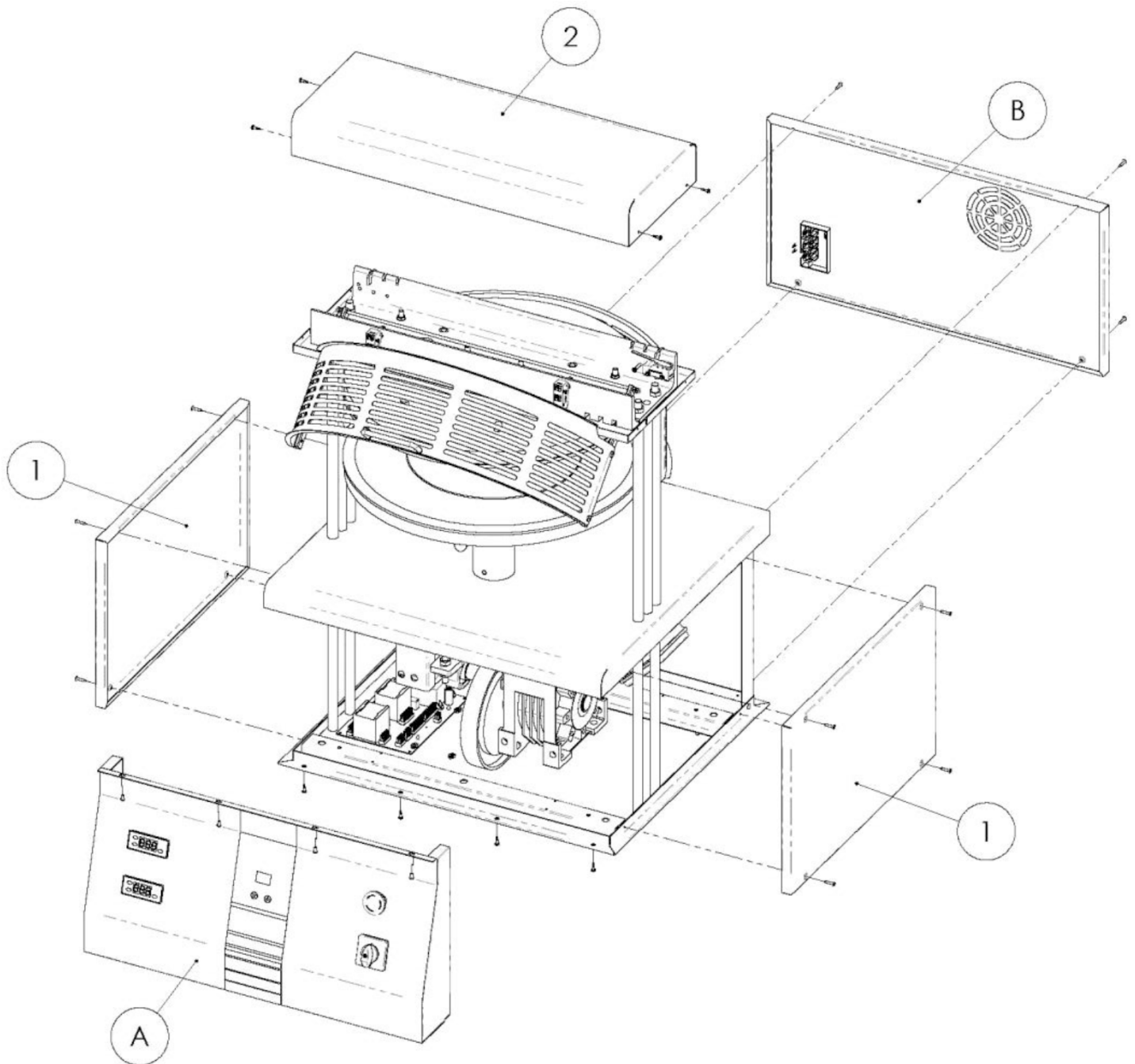


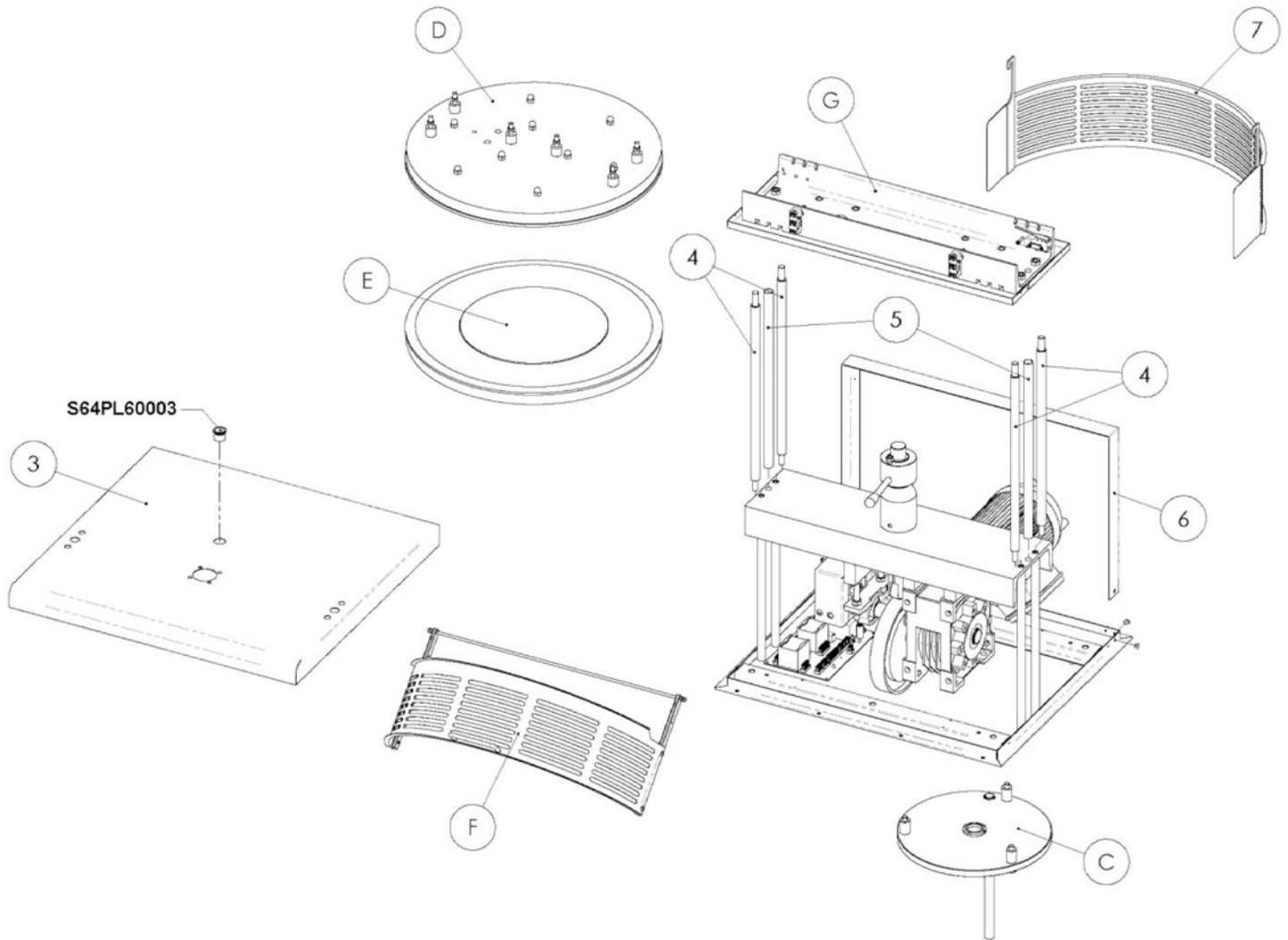
Parts Breakdown

Model BE-IT-0045 45356



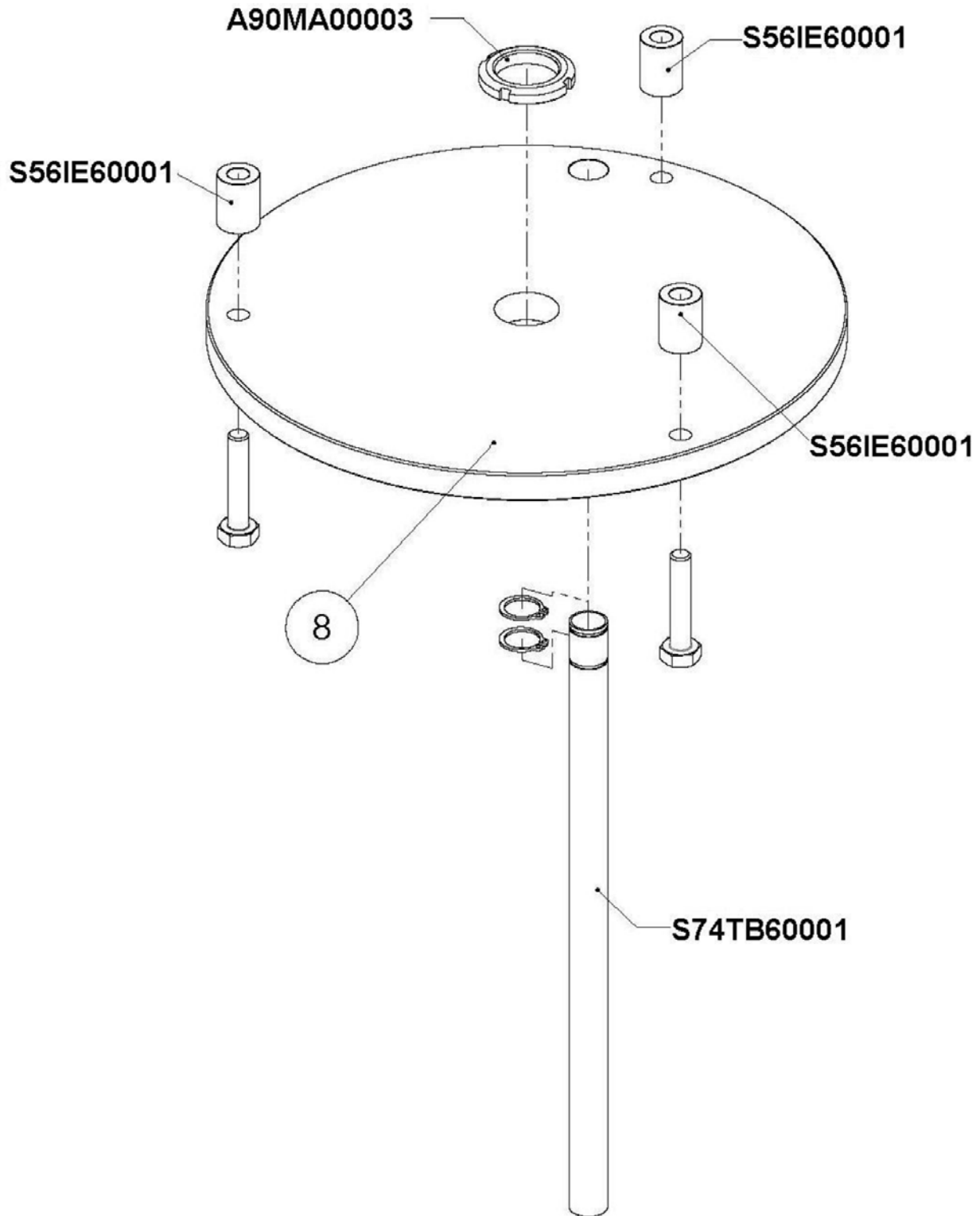
Parts Breakdown

Model **BE-IT-0045** 45356



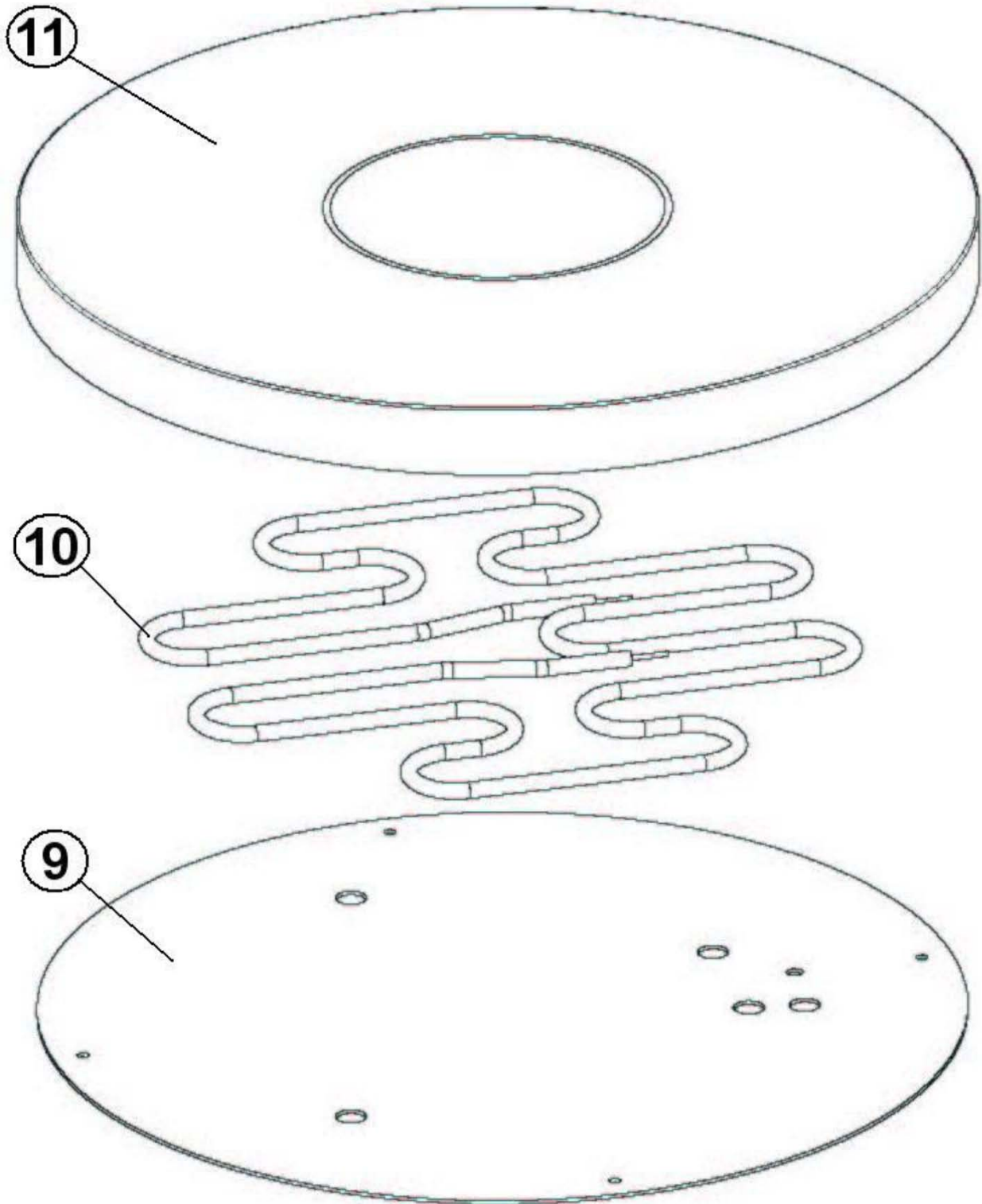
Parts Breakdown

Model **BE-IT-0045** 45356



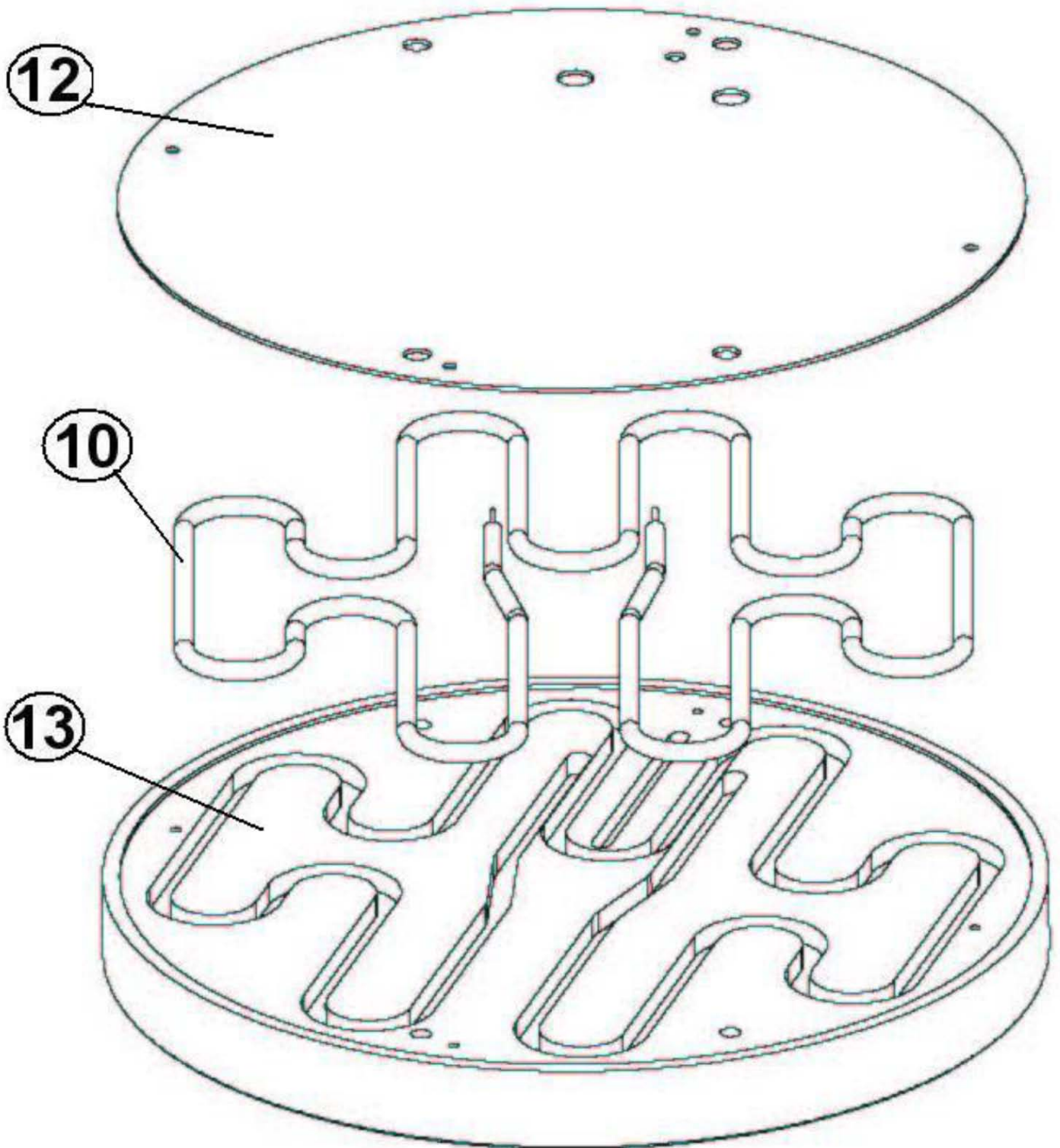
Parts Breakdown

Model **BE-IT-0045** 45356



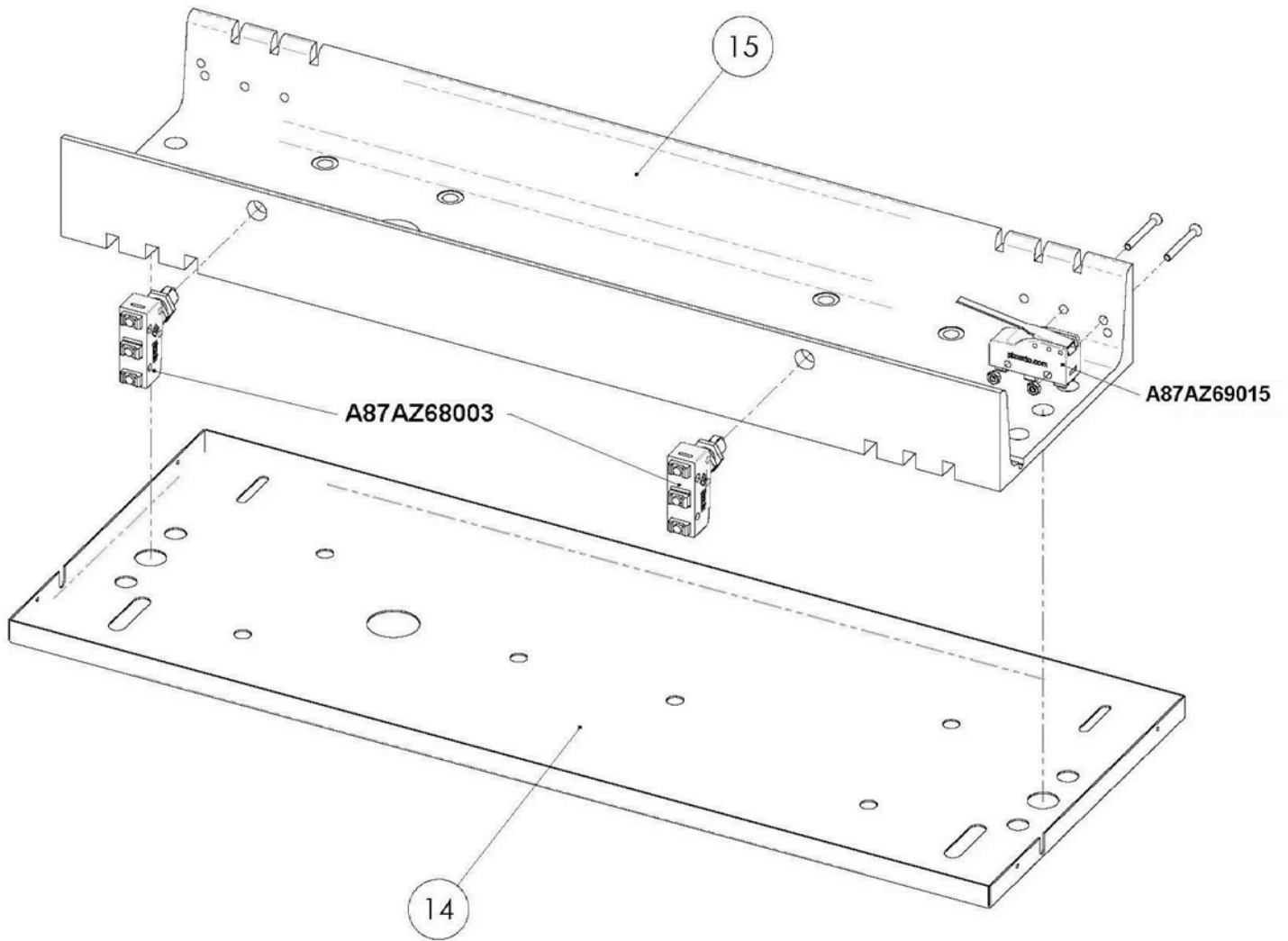
Parts Breakdown

Model *BE-IT-0045* 45356



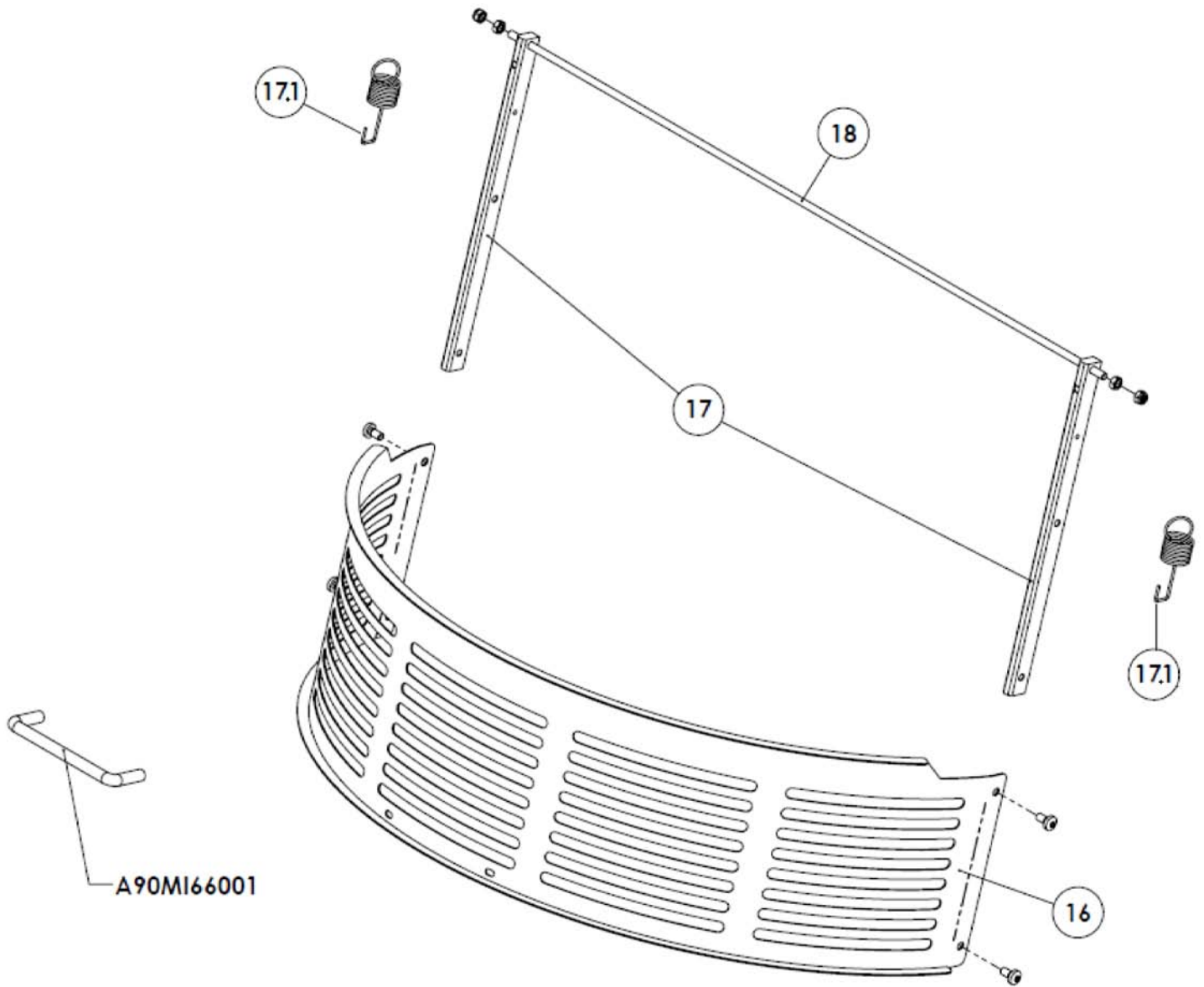
Parts Breakdown

Model **BE-IT-0045** 45356



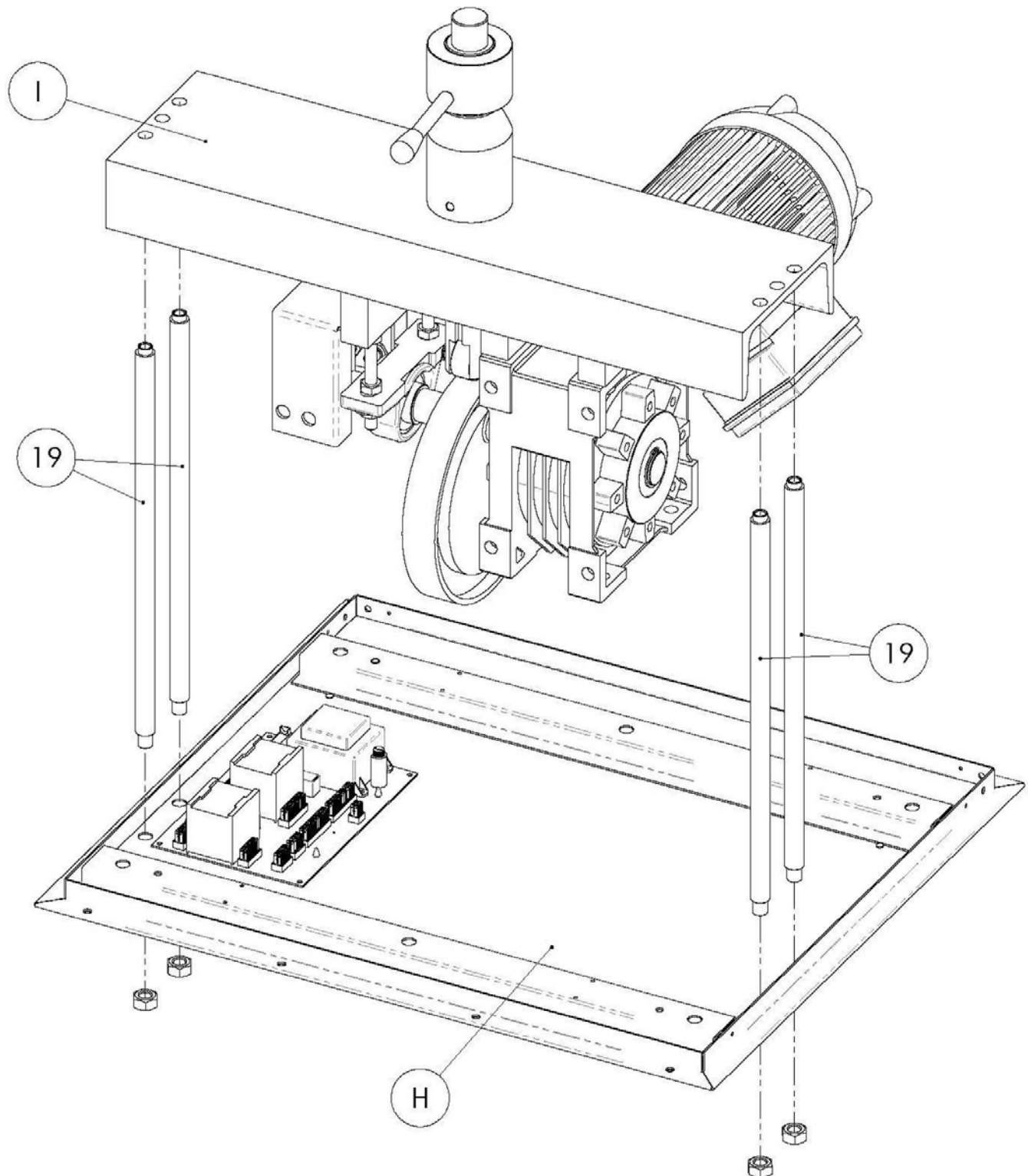
Parts Breakdown

Model **BE-IT-0045** 45356



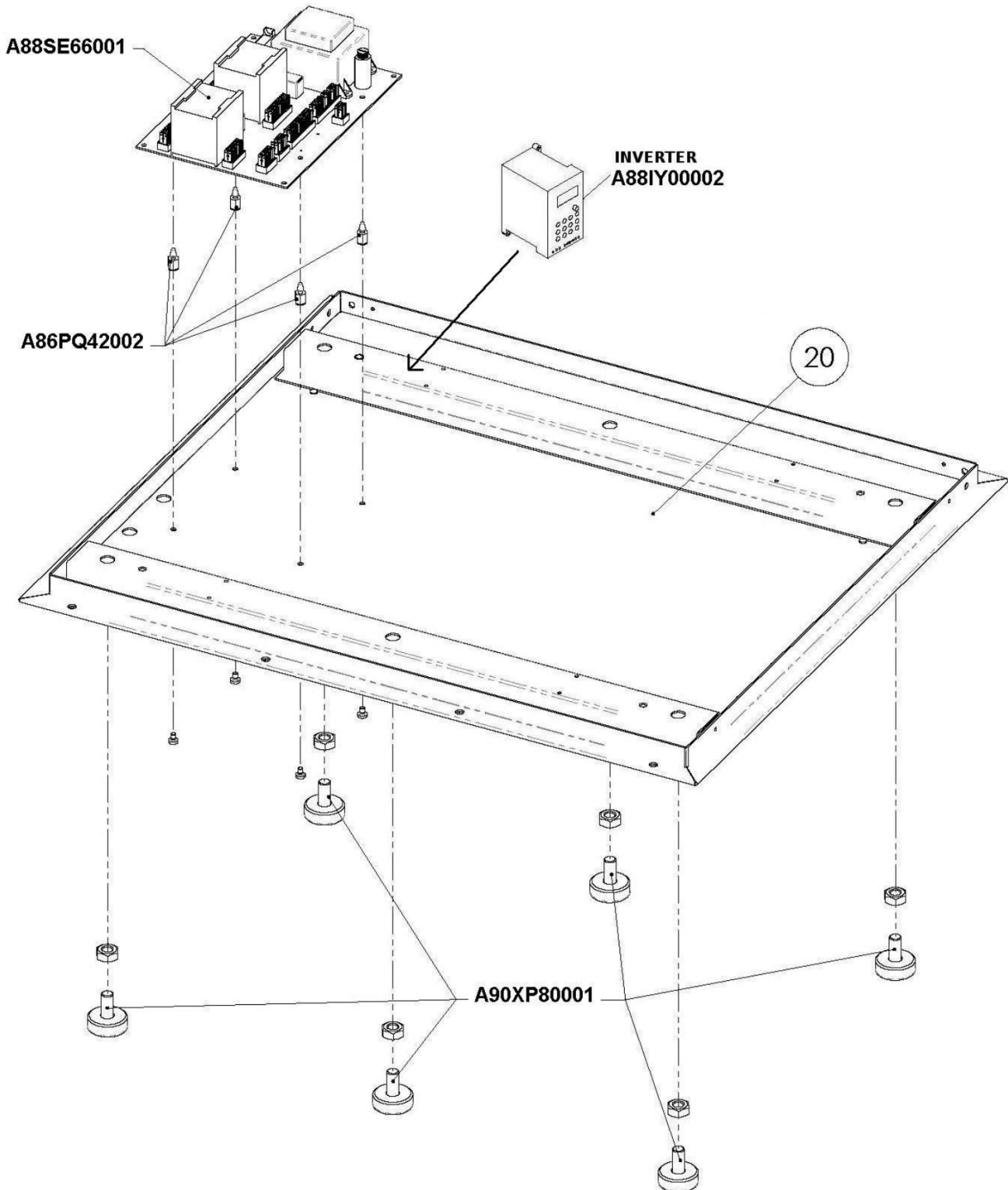
Parts Breakdown

Model **BE-IT-0045** 45356



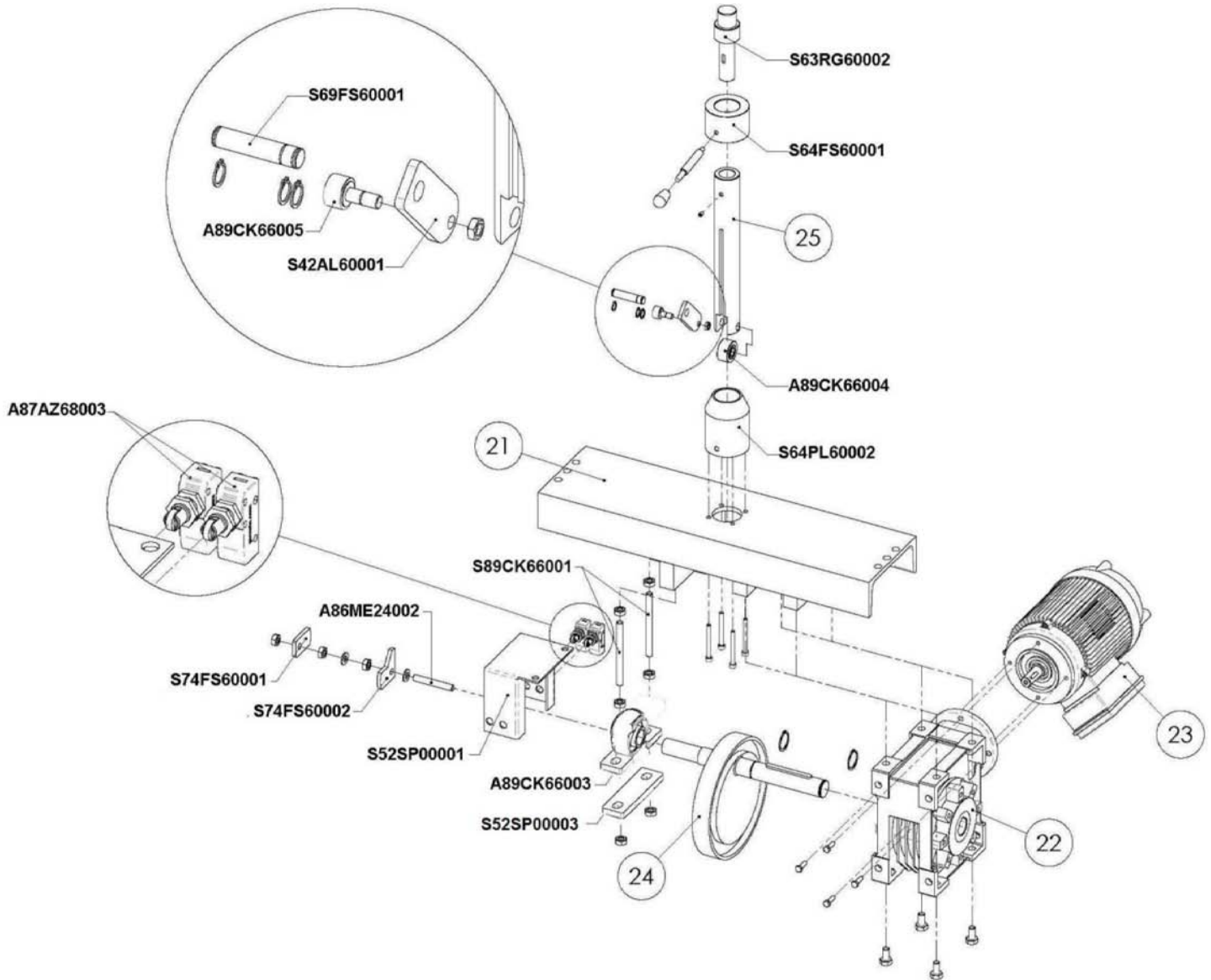
Parts Breakdown

Model **BE-IT-0045** 45356



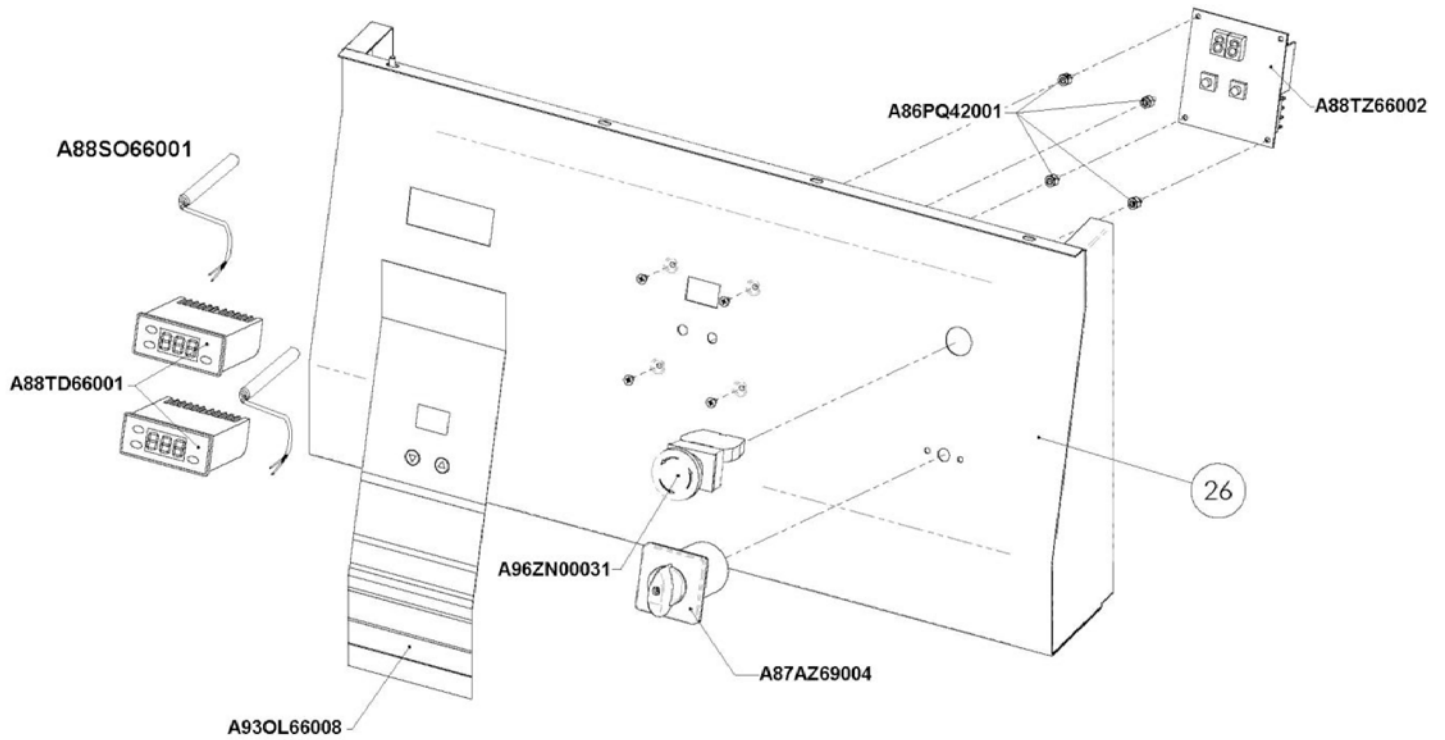
Parts Breakdown

Model **BE-IT-0045** 45356



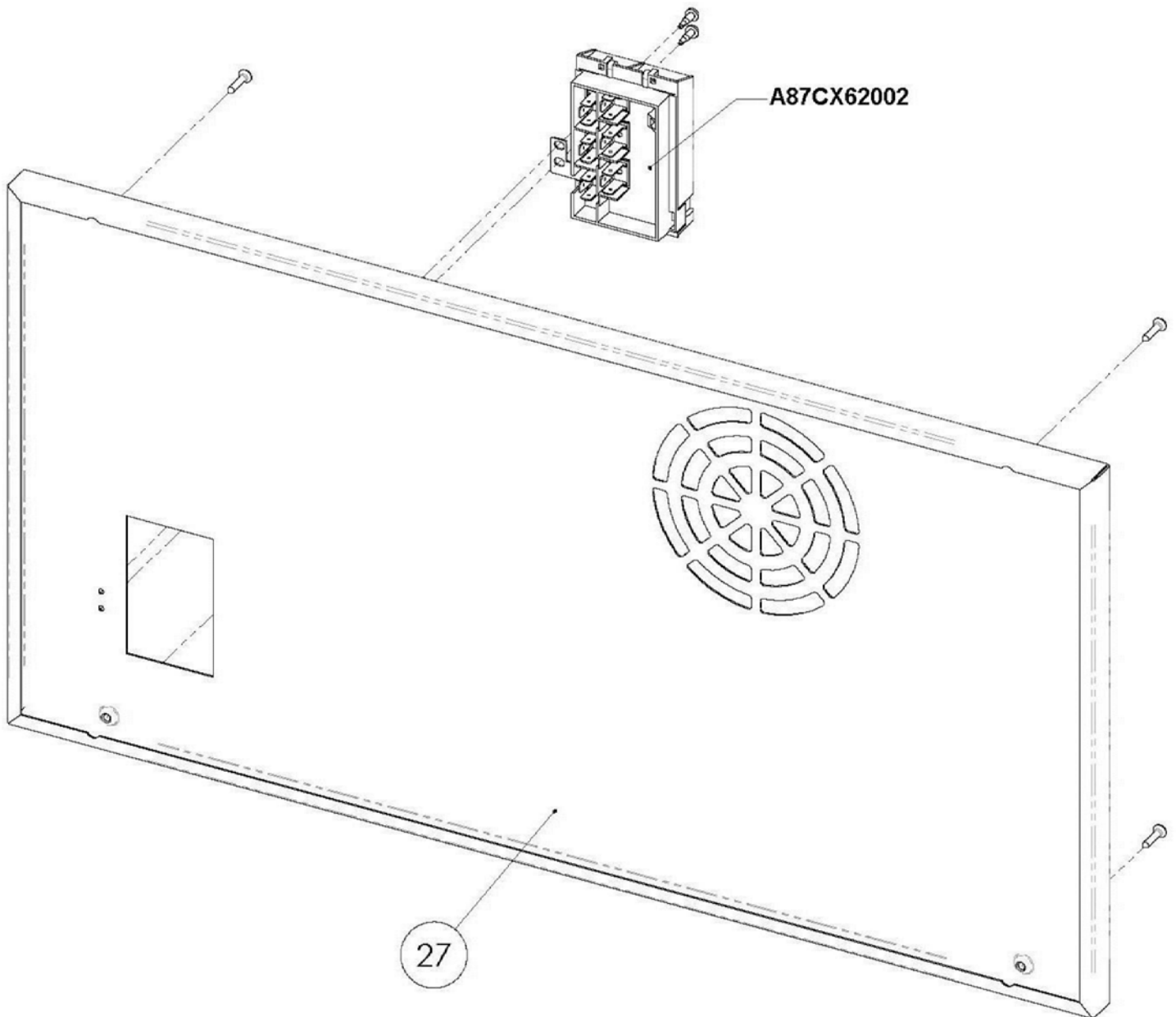
Parts Breakdown

Model **BE-IT-0045** 45356



Parts Breakdown

Model **BE-IT-0045** 45356



Parts Breakdown

Model BE-IT-0045 45356

Item No.	Description	Position	Item No.	Description	Position	Item No.	Description	Position
61072	Side Panel for 45356	1	61093	Bottom Assembly for 45356	20	61366	Joint Bearing Support UCP 205 for 45356	A89CK66003
61073	Cover for 45356	2	61094	Intermediate Crosspiece Assembly for 45356	21	61370	Roller Bearing Nut R15 for 45356	A89CK66004
61074	Upper Part Enclosure for 45356	3	61095	Reduction Panel UMI 63 1/70 Pam80/B14 for 45356	22	61359	Bearings Needle Roller INA KR 19 PP for 45356	A89CK66005
61075	Upper Column for 45356	4	61097	Engine 230/400 V - 1.1 kW - 50 Hz 80 B14 Single Phase Press for 45356	23	61347	Ferrule M30 for 45356	A90MA00003
61076	Central Column 395.5xØ 18 for 45356	5	61098	Complete Cam Shaft for 45356	24	61352	Satin Nickel Handle - Front Protection for 45356	A90MI66001
61077	Frame for 45356	6	61099	Vertical Shaft Lock Plates for 45356	25	61356	Foot M10 for 45356	A90XP80001
61078	Rear Protective Assembly for 45356	7	61100	Front Control Panel Assembly for 45356	26	61374	Label 348x105mm for 45356	A93OL66008
61079	Lower Plate Disc Support for 45356	8	61101	Rear Panel for 45356	27	61375	Emergency Stop Switch IF/IR for 45356	A96ZN00031
61080	Tefloned Lower Plate Lock Disc for 45356	9	61363	Turning Axis of Drive M10x70 for 45356	A86ME24002	61360	Bracket for Shaft for 45356	S42AL60001
61081	Resistance 2500 W 230V for 45356	10	61377	Plastic Shim CF06H4080-1806 for 45356	A86PQ42001	61364	Limit Switch Holder for 45356	S52SP00001
61082	Tefloned Lower Plate for 45356	11	61354	Plastic Spacer Mod. CF06H4080-18 10 for 45356	A86PQ42002	61367	Joint Bearing Support for 45356	S52SP00003
61083	Tefloned Upper Plate Lock Disc for 45356	12	61350	Push Button Micro MS15PZZMS15 for 45356	A87AZ68003	61348	Spacer Lower Plate Ø 20x27 for 45356	S56IE60001
61084	Tefloned Upper Plate with Edges for 45356	13	42035	16 A Actuator P0160004R001 4-Polar Switch for 45356	A87AZ69004	61369	Ring Nut for 45356	S64FS60001
61086	Upper Cover Base for 45356	14	61351	Lever Micro MS30 for 45356	A87AZ69015	61371	Guide Bushing for Shaft for 45356	S64PL60002
61087	Upper Cross Beam for 45356	15	61379	External Terminal Block for 45356	A87CX62002	61346	Bush for Vertical Shaft for 45356	S64PL60003
61088	Front Guard for 45356	16	61355	Inverter ATV12HU15M2 1.5 kW 200/240V 50/60Hz for 45356	A88IY00002	61358	Pin for 45356	S69FS60001
61089	Front Guard Fixing Rod for 45356	17	61353	Power Card PFD (SIPREM PG-1-701) for 45356	A88SE66001	61361	Microswitch Cam for 45356	S74FS60001
61090	Traction Spiral Spring for 45356	17.1	61372	Probe TCJ B46V 16,4 IND L= MT.1,6 Ø6x40 for 45356	A88SO66001	61362	Microswitch Double Cam for 45356	S74FS60002
61091	Tie-Rod for Central Micro Switch 400xM5 for 45356	18	61373	Digital Thermoregulator EVK411J7 for 45356	A88TD66001	61349	Cable Protection Hose for 45356	S74TB60001
61092	Lower Column for 45356	19	61378	0-1.5 Sec. Display Timer for 45356	A88TZ66002	61365	Spacer for Joint Bearing Support 175xM10 for 45356	S89CK66001